

Description :

This aluminum made tripod is designed for inside and outside use as well.

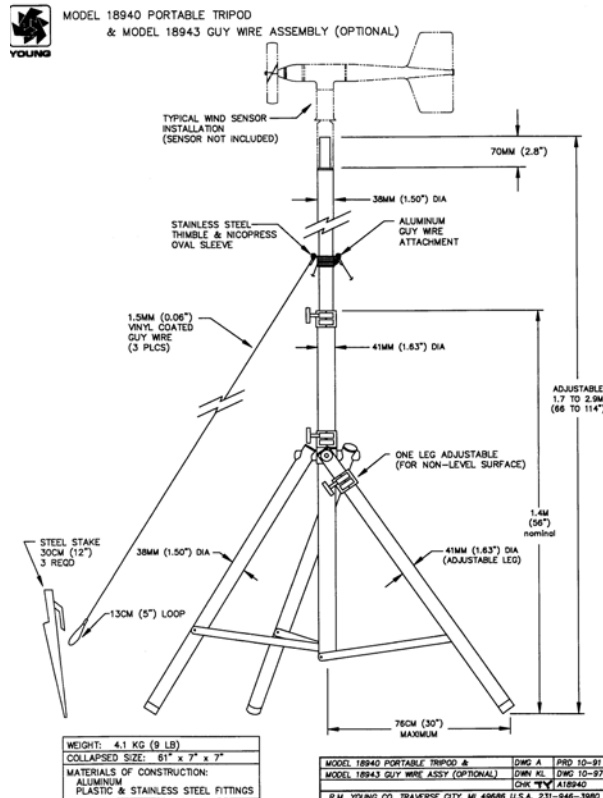
The unit is a lightweight construction designed for stand-alone set-up. When installed outside, the use of Model 18943 guy wire assembly is necessary as soon that wind speeds of more than 10 m/s are expected.

The standard mounting piece for sensors has a length of 70 mm and an outside diameter of 35,4 mm (1" tube). The height of the tripod can be easily varied between 1,7 m and 2,9m. With an extension tube of 1,1 m (option) a total height of 4 m can be obtained.

The third tripod leg is adjustable in height allowing a deployment on uneven surfaces.

Technical specifications :

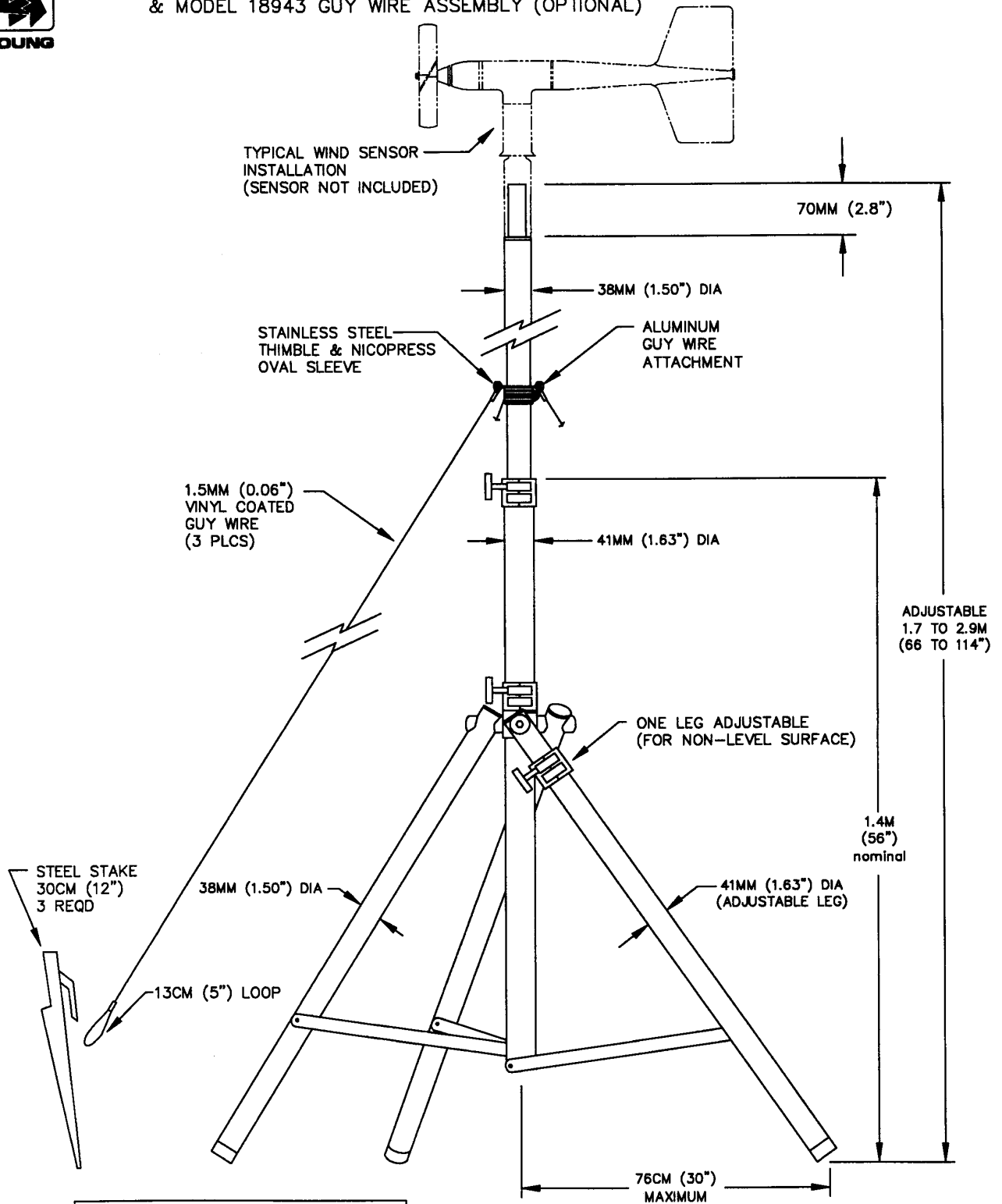
- Height when deployed : 1,4m - 2,9 m
- Height with extension tube (option) : 2,5 - 4m
- Dimensions for transport : 1,5m x 0,18m x 0,18 m
- Needed ground surface when deployed :
(without guy wires) : Ø 1,6m
(with guy wires) : approx. Ø 6m
- Weight : 4,5 kg



Model 18940 Portable Tripod
Strong & lightweight. Pictured with wind & temperature sensors.



MODEL 18940 PORTABLE TRIPOD
 & MODEL 18943 GUY WIRE ASSEMBLY (OPTIONAL)



WEIGHT: 4.1 KG (9 LB)
COLLAPSED SIZE: 61" x 7" x 7"
MATERIALS OF CONSTRUCTION: ALUMINUM PLASTIC & STAINLESS STEEL FITTINGS

MODEL 18940 PORTABLE TRIPOD &	DWG A	PRD 10-91
MODEL 18943 GUY WIRE ASSY (OPTIONAL)	DWN KL	DWG 10-97
	CHK	A18940
R.M. YOUNG CO. TRAVERSE CITY, MI 49686 U.S.A. 231-946-3980		